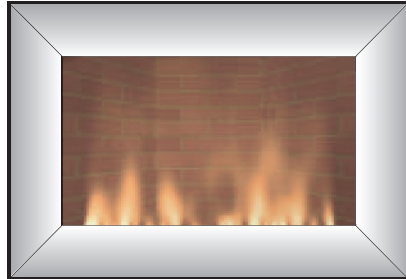


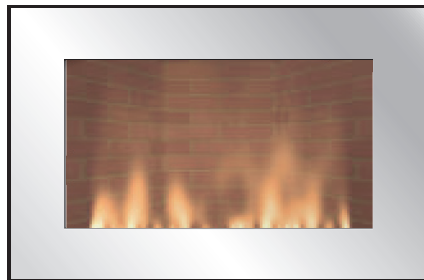
Dimplex



(SP4) SP420

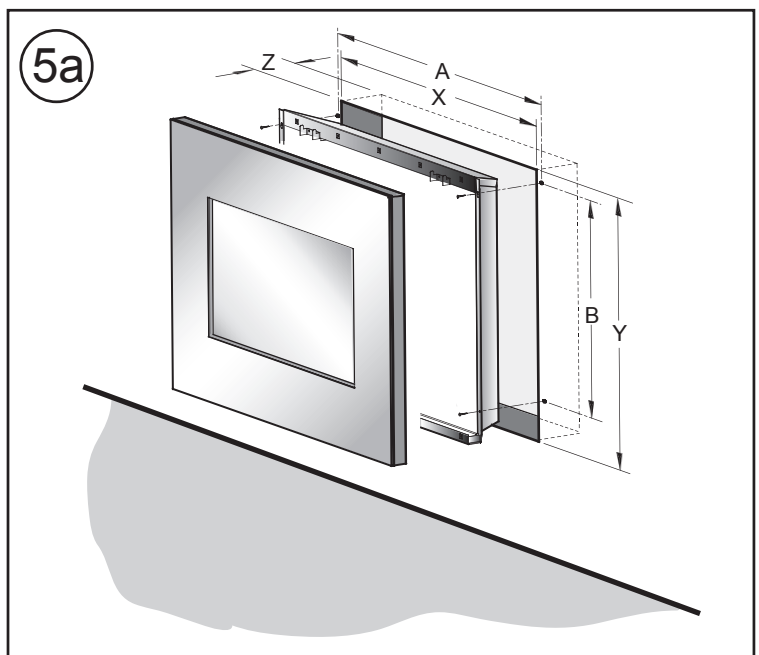
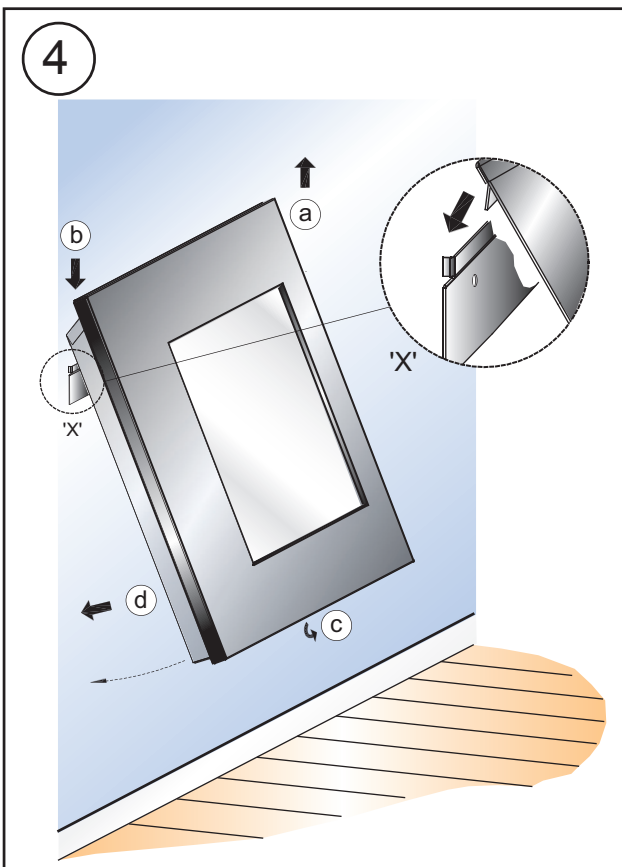
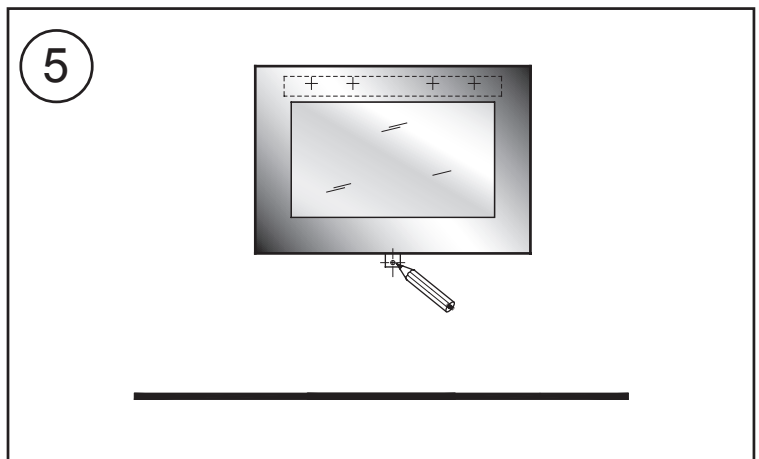
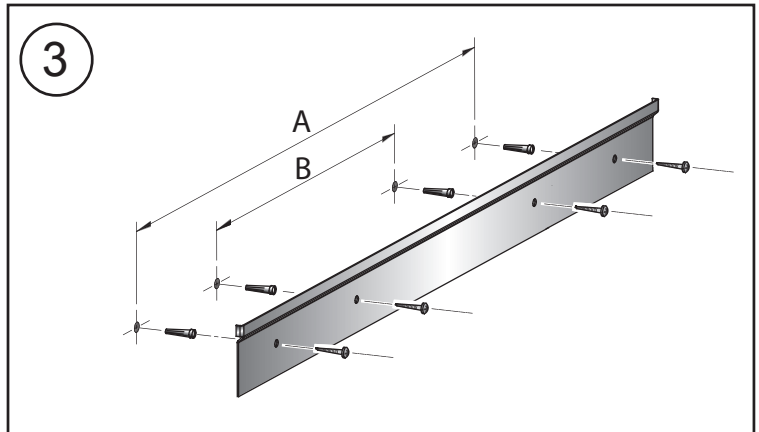
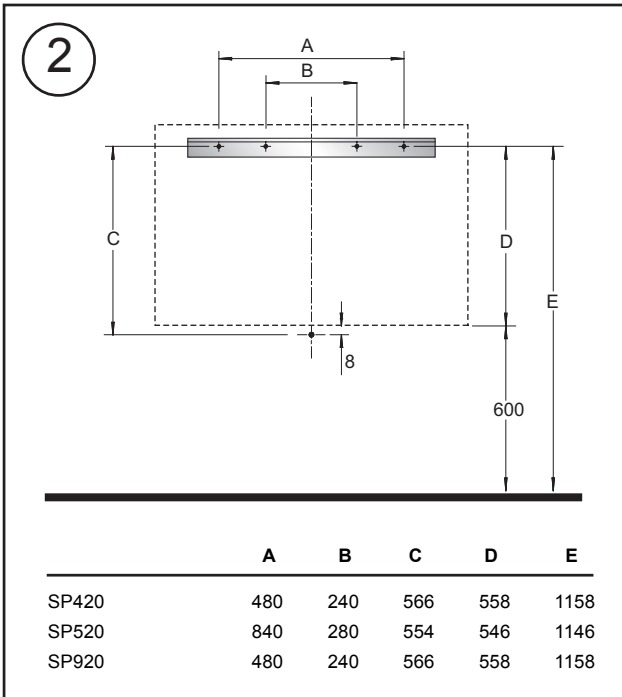
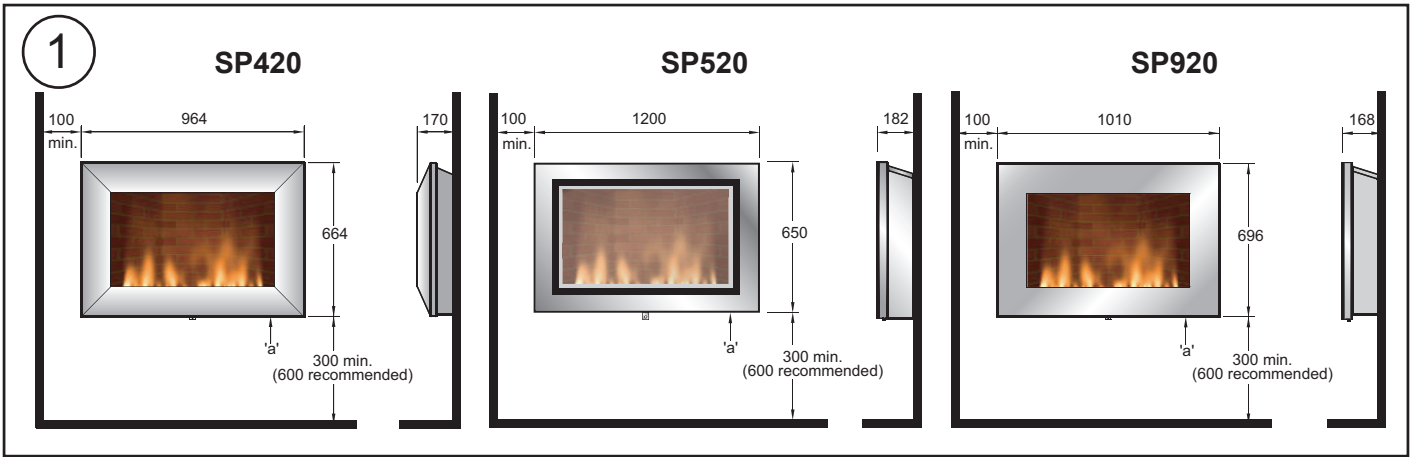


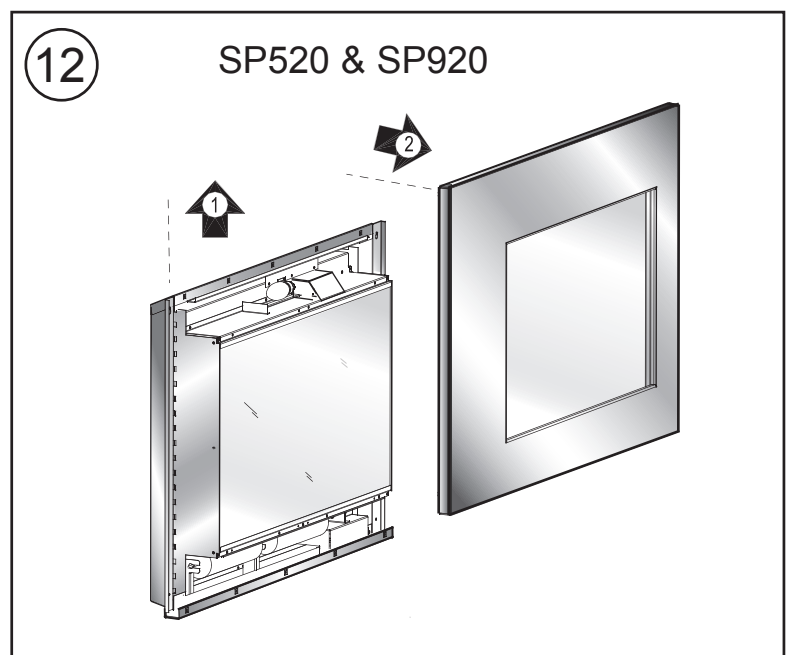
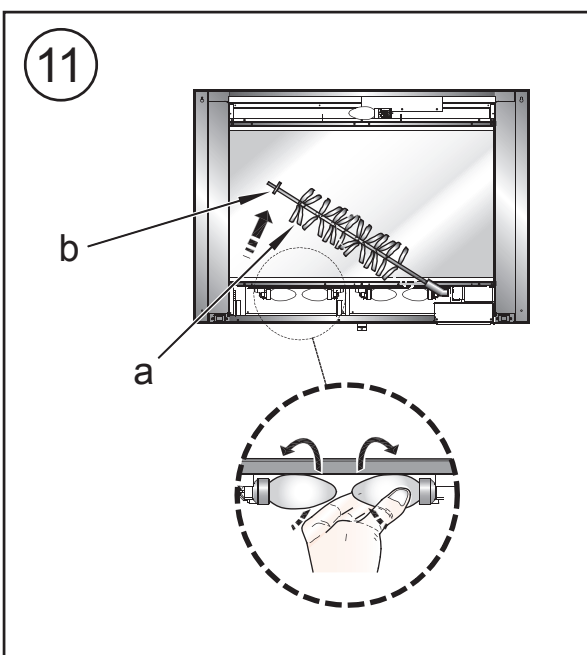
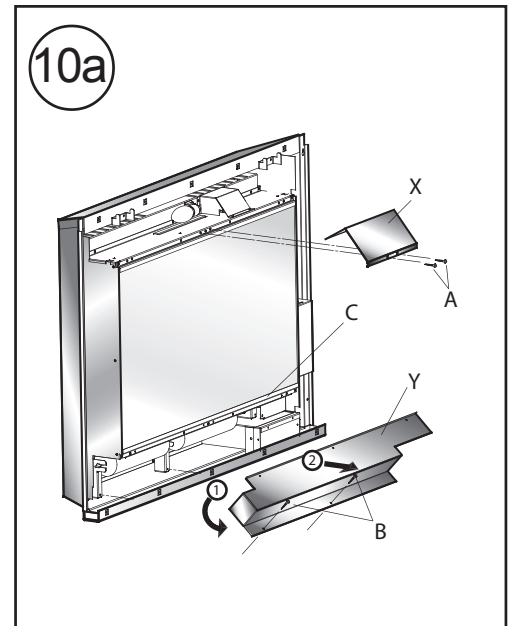
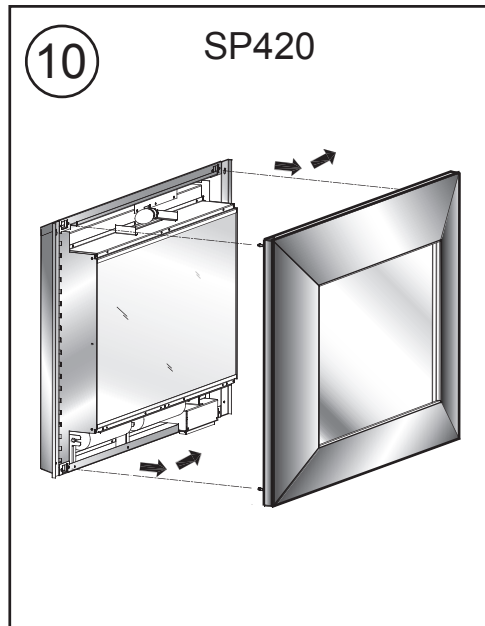
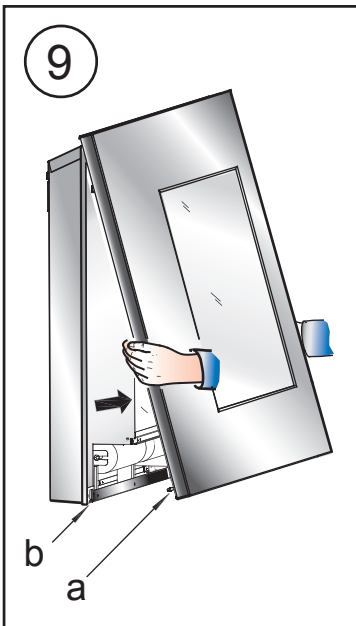
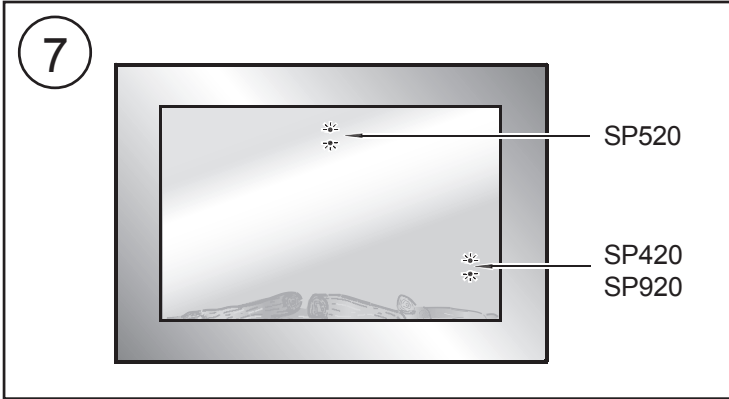
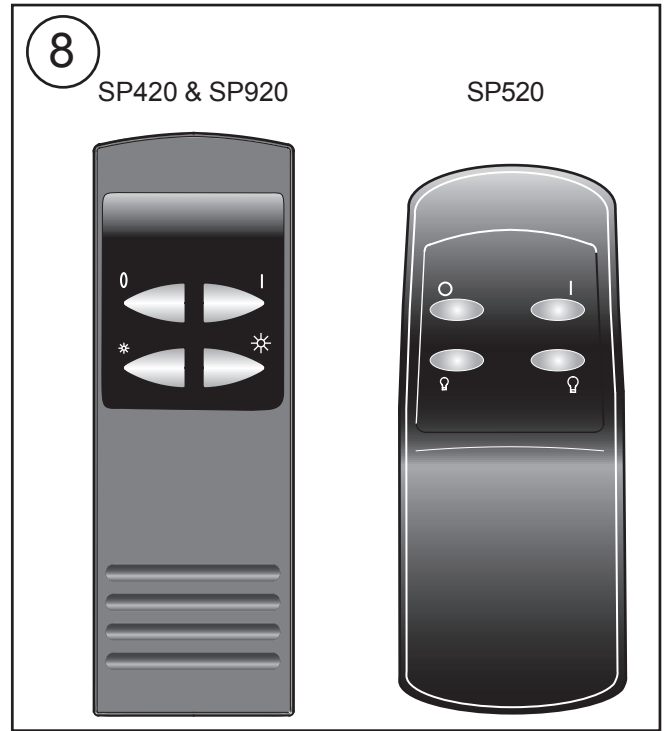
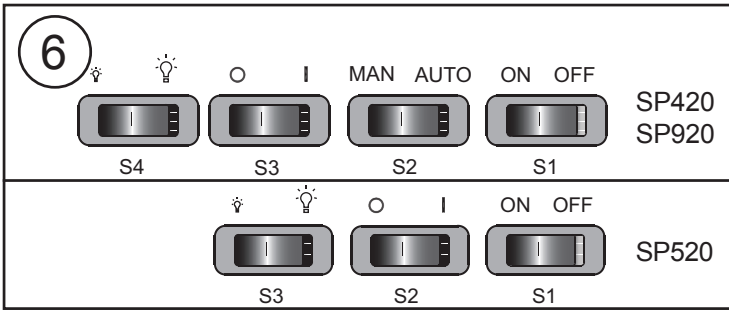
(SP5) SP520



(SP9) SP920

AUS/NZ





Wall Fires - Models: SP420, SP520 & SP920

IMPORTANT: THESE INSTRUCTIONS SHOULD BE READ CAREFULLY AND RETAINED FOR FUTURE REFERENCE

Important Safety Advice

When using electrical appliances, basic precautions should be followed to reduce the risk of fire, electric shock, and injury to persons, including the following:

If the appliance is damaged, check immediately with the supplier before installation and operation.

Do not use this heater in the immediate surroundings of a bath, shower or swimming pool.

Do not use outdoors.

Do not cover or obstruct the heater in any way. Overheating will result if it is accidentally covered.

In the event of a fault unplug the heater.

Unplug the heater when not required for long periods.

The supply cord is recommended to be placed on the right hand side of the heater. The heater can also be HARD wired - this is recommended if the heater is recessed - see 'Recessed Installation'.

The appliance is not intended for use by young children or infirm persons unless they have been adequately supervised by a responsible person to ensure that they can use the appliance safely.

Young children should be supervised to ensure that they do not play with the appliance.

If the supply cord is damaged it must be replaced by the manufacturer or service agent or similarly qualified person in order to avoid a hazard.

Electrical

WARNING – THIS APPLIANCE MUST BE EARTHED

This heater must be used on an AC ~ supply only and the voltage marked on the heater must correspond to the supply voltage.

Do not switch the appliance on until properly installed. Please read all the safety warnings and operating instructions.

General

Unpack the heater carefully and retain the packaging for possible future use, in the event of moving or returning the fire to your supplier.

Contents of Carton

- Heater.
- Wall fixing bracket.
- Fixing screws and wall plugs.
- Remote control and batteries (AAA's type).
- Spare bulb.

Do not connect the heater to an electricity supply until it is installed on a wall correctly - see 'Installation'.

SP420 & SP920 - When in operation there is a 300 watt heat output from the fuel effect, and an additional 120 watt output when the heated glass panel is in operation.

SP520 - When in operation there is a 300 watt heat output from the fuel effect, and an additional 200 watt output when the heated glass panel is in operation.

The heater can be used remotely or manually - see 'Operation'.

General features of remote control are:

- Activate/Deactivate heated glass panel.
- The illumination of fuel effect can be increased or decreased.

Please note: Used in an environment where background noise is very low, it may be possible to hear the motor which operates the flame effect. This is normal and should not be a cause for concern.

Installation

Do not connect appliance until properly fixed to the wall and the instruction leaflet is read fully.

The minimum distances must be observed.

For installation of the appliance, care must be taken not to damage concealed cables.

Please be careful while drilling the holes.

This model is designed to be permanently fixed to a wall at a minimum height of 300mm. The wall bracket must be fitted horizontally and the cable routed to the bottom right of the heater as in **Fig. 1**.

A height of 600mm from bottom of heater to floor is recommended for optimum viewing of fuel bed (see **Fig. 2** for recommended fixing dimensions).

For optimum viewing mark the top four screw fixing positions on wall in accordance with the recommended fixing dimensions - see **Fig. 2**. Drill holes with a 6mm drill bit.

Fix the wall bracket using the plugs and screws provided - see **Fig. 3**.

Carefully lift the heater up ensuring that the top rear ledge of heater engages the wall bracket and is sitting centrally positioned. - see **Fig. 4 (b)**.

Rotate the bottom fixing bracket down. - see **Fig. 4 (c)**.

Gently bring the heater level with the wall. - see **Fig. 4 (d)**.

Mark the bottom hole position (see **Fig. 5**), remove the heater ensuring that the bottom fixing bracket is rotated up.

Drill and fit wall plug.

Refit the heater to the wall fixing bracket (i.e. follow steps as in **Fig. 4 a, b, c and d**) and rotate the bottom fixing bracket down again and use the screw provided to permanently fix the heater in place.

The heater should not be connected until the instruction leaflet is read fully.

Recessed Installation

Please note that this appliance can also be wall-mounted so that it is recessed. This can be installed in a large fireplace opening or a purpose built wall. See Table 1 for size of recess required and hole fixing dimensions and **Fig. 5a**. This fireplace insert does NOT require venting.

In order to ensure it's future safety in use, it is essential that this fire is securely fixed to the wall.

IT IS IMPORTANT THAT THE FIXING DEVICE CHOSEN IS APPROPRIATE TO THE WALL MATERIAL TO WHICH THE FIRE IS BEING FIXED. SOME MODERN INTERNAL BUILDING MATERIALS ARE VERY LOW DENSITY BLOCK AND REQUIRE SPECIALIZED FIXING DEVICES TO PROVIDE A SAFE, SECURE INSTALLATION.

The installation of this fire should be carried out by a competent person. If in doubt please consult your local builder.

This section provides step by step instructions for selecting a location and preparing the site to install the fireplace into the following:

Existing Fireplace

1. Make sure that the fire is located on a flat surface.
2. Seal all draughts and vents to prevent chimney debris from falling onto the Fireplace Insert. Do not install into an existing fireplace that is prone to dampness.
3. Remove the fire front panel by following the steps as outlined in 'Lamp Replacement' sections.
4. Locate the 4 fixing holes, position the fire accordingly, and firmly fix the appliance to the wall using the appropriate screws - see **Fig. 5a**.
5. Replace the front panel.

New Support Structure Construction

When planning where to position your purpose built support structure the following steps must be observed:

1. Place the fire in the desired location to see how it will look in the room.
2. Mark the desired location for the new support structure in the room and store the fire in a safe, dry and dust free location.
3. Using timber studs to support the fire, devise and construct a suitable means of supporting the product within the wall partition and provide electrical power for the fire to be HARD wired. For recommended sizes of height, width and depth of opening for recess and hole fixing dimensions for each model - see Table 1 and **Fig. 5a**.
4. When the structure is complete, remove the front panel of the fire by following the steps as outlined in 'Lamp Replacement' sections.
5. Locate the 4 fixing holes, position the fire accordingly, and firmly fix using the appropriate screws.
6. Replace the front panel.

TABLE 1

Models	A	B	X	Y	Z
SP420	871	570	847	646	115
SP520	1160	560	1143	640	146
SP920	914	565	895	676	150

NOTE: The appliance should be HARD wired to an electrical power outlet when placed in a recessed installation. Please consult a qualified electrician for appropriate wiring requirements.

Manual Operation - SP420 & SP920

The switches are located at the bottom right side of the heater. The Standby Switch (Switch S1) must be first turned 'ON' and the AUTO/MAN (Switch S2) switch set to 'MANUAL' to operate the manual controls - see **Fig. 6**.

Note : When the fire is put in Manual mode the first time the flame effect will come on indicated by the Bottom neon coming on for 3 seconds - see **Fig. 7**.

Manual Operation - SP520

The switches are located at the bottom right side of the heater - see **Fig. 6**.

Remote Operation

The standby switch (S1) must first be turned 'ON' (and the 'AUTO/MAN' Switch turned to 'AUTO' - SP420 & SP920).

Note: It takes some time for the receiver to respond to the transmitter. DO NOT PRESS the buttons more than once within two seconds for correct operation.

Manual & Remote Operation

Setting	Operation	Setting
Flame Effect only	Press the 'I' button (Switch 3)	Top Neon
Flame Effect & Heat On	Press the 'I' button again (Switch 3)	Bottom Neon

The Standby switch must first be turned 'ON' to operate the heater manually or by remote control.

Note: It takes some time for the receiver to respond to the transmitter. DO NOT PRESS the buttons more than once within two seconds for correct operation.

To go to the previous settings press the **O** button.

Pressing the **O** button on the remote turns off the light & heat settings. To resume press the **I** button until the desired setting is reached - see **Fig. 8**.

To increase or decrease the brightness of the flames, use the dimmer button or the \odot button on the Remote Control. The heat setting will remain the same.

To turn off the power the Standby Switch must be turned 'OFF'.

Replacing the remote control - SP420 & SP920

The new remote control must be set up as follows:

Press switch S1 to **ON**.

Press switch S2 to **AUTO** (see **Fig. 6**).

Press switch S3 to **O** for more than 3 seconds until the LED's are on (see **Fig. 7**).

Press the 'I' button on the remote control.

Now the heater has learned the serial number from the remote control and will work with this remote control only (this procedure is repeatable many times).

Lamp Replacement - SP420

WARNING – ALWAYS DISCONNECT FROM THE POWER SUPPLY BEFORE REMOVING LAMPS.

Warning - The lamps reach high temperatures during operation. For this reason, allow the lamps to cool down after switching off the appliance.

The front panel will need to be removed in order to change lamps –see **Fig. 10**.

Warning - The front panel is heavy and easily damaged.

The front panel is fixed with 4 spring loaded pins (see 'a' in **Fig. 9**) and is supported at the top by the chassis.

To gain access to lamps please apply the following procedure:

While holding the front panel by its sides with both hands, carefully pull forwards the panel at the bottom until the pins detach from the clips - see **Fig. 9**.

When the bottom holding pins are undone, carefully pull forwards at the top until the top pins detach and then lift the front panel up and out (see **Fig. 10**).

To gain access to the bulbs remove the screws at 'A' to remove the cover bracket 'X' - see **Fig. 10a**.

For access to the bottom bulbs, carefully slide the flexible rotisserie (see 'a' in **Fig. 11**) to one side ensuring that the rubber grommet is not lost (see 'b' in **Fig. 11**).

Remove the defective lamp by unscrewing it (see **Fig. 11**).

Replace with a 60W E14 SES Clear Candle bulb, rotating it. Take care not to over-tighten the lamp.

Steps for reassembling the heater

1. Refit the rotisserie making sure that the rubber grommet is carefully pushed into the slotted hole on the axial bracket.
2. Replace the cover bracket 'X' - see **Fig. 10a**.
3. Replace the front by aligning the slots on the front frame and making sure that it catches fully on the support brackets.

Lamp Replacement – SP520 & SP920

WARNING – ALWAYS DISCONNECT FROM THE POWER SUPPLY BEFORE REMOVING LAMPS.

Warning - The lamps reach high temperatures during operation. For this reason, allow the lamps to cool down after switching off the appliance.

The front panel will need to be removed in order to change lamps – see **Fig. 12**.

Warning - The front panel is heavy and easily damaged.

The front panel is supported at the top by the chassis and held tight by magnets at the top and bottom.

To gain access to lamps please apply the following procedure:

While holding the front panel by its sides with both hands, carefully lift the panel up (1) and then away (2) from the main body - see **Fig. 12**.

To gain access to the bulbs remove the screws at 'A' to remove the cover bracket 'X' and the screws at 'B' to remove the cover bracket 'Y' - see **Fig. 10a**.

The bottom cover bracket 'Y' is also held on by magnets. To remove this bracket, (1) gently tilt the bottom of the bracket out and then (2) lift out - see **Fig. 10a**.

For access to the bottom bulbs, carefully slide the flexible rotisserie (see 'a' in **Fig. 11**) to one side ensuring that the rubber grommet is not lost (see 'b' in **Fig. 11**).

Remove the defective lamp by unscrewing it (see **Fig. 11**).

Replace with a 60W E14 SES Clear Candle bulb, rotating it. Take care not to over-tighten the lamp.

Steps for reassembling the heater

1. Refit the rotisserie making sure that the rubber grommet is carefully pushed into the slotted hole on the axial bracket.
2. Replace the cover brackets 'X' and 'Y' ensuring that the magnets at the top of cover bracket 'Y' catch the fuel effect bracket 'C' to prevent vibration - see **Fig. 10a**.
3. Replace the front by aligning the slots on the front frame and making sure that it catches fully on the support brackets. The magnets on the chassis will hold the front flush to the main body.

Cleaning

WARNING – ALWAYS DISCONNECT FROM THE POWER SUPPLY BEFORE CLEANING THE HEATER.

For general cleaning use a soft clean duster – never use abrasive cleaners. The glass viewing screen should be cleaned carefully with a soft cloth. DO NOT use proprietary glass cleaners.

After Sales Service

Should you require after sales service, please get in touch with the supplier through whom you purchased the appliance.

Please retain your receipt as proof of purchase.

CE The product complies with the Australian/New Zealand Safety Standards AS/NZ S 335.2.30:1997 and 2002 Part 1 also the European Standard Electromagnetic Compatibility (EMC) EN 55 014-1:1993, EN 61000-3-2:1995, EN 61000-3-3:1995, EN 55 014-2:1997 which cover the essential requirements of EEC Directive 89/336/EEC.

Specification subject to change without prior notice

DCDimplex